



Nobelstraat 43  
3846 CE Harderwijk  
The Netherlands

Phone: +31 341 - 436700  
Fax: +31 341 - 436701  
www.qimarox.com  
info@qimarox.com

Document name: Electrical drawings PD1 v1.0

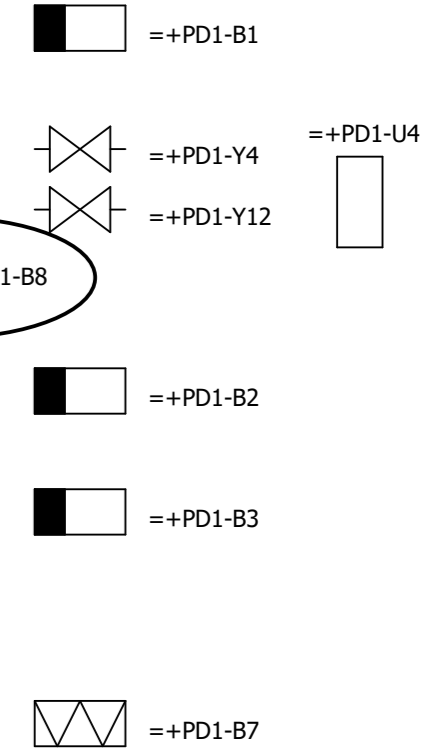
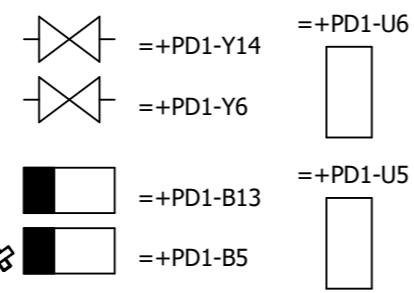
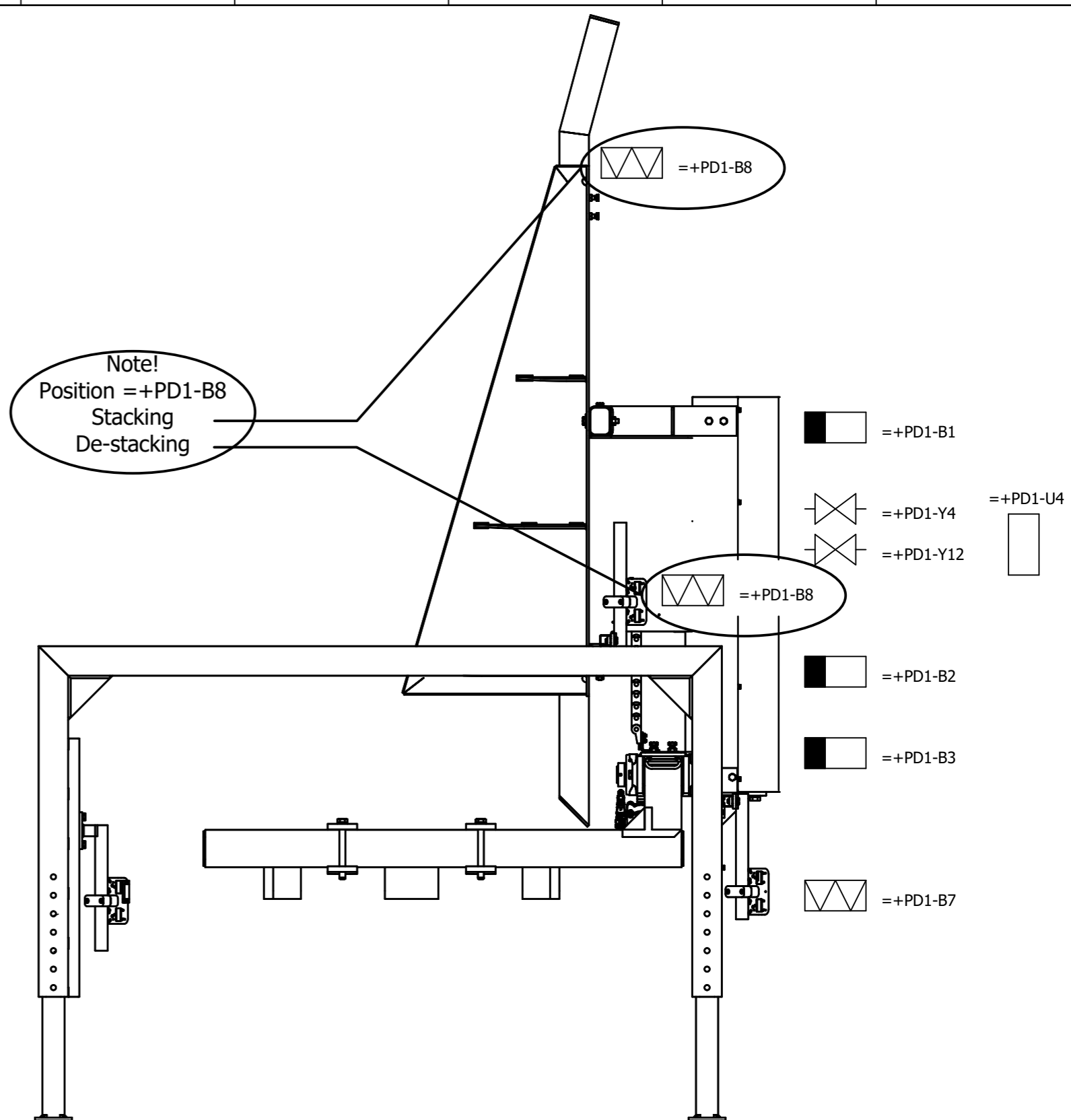
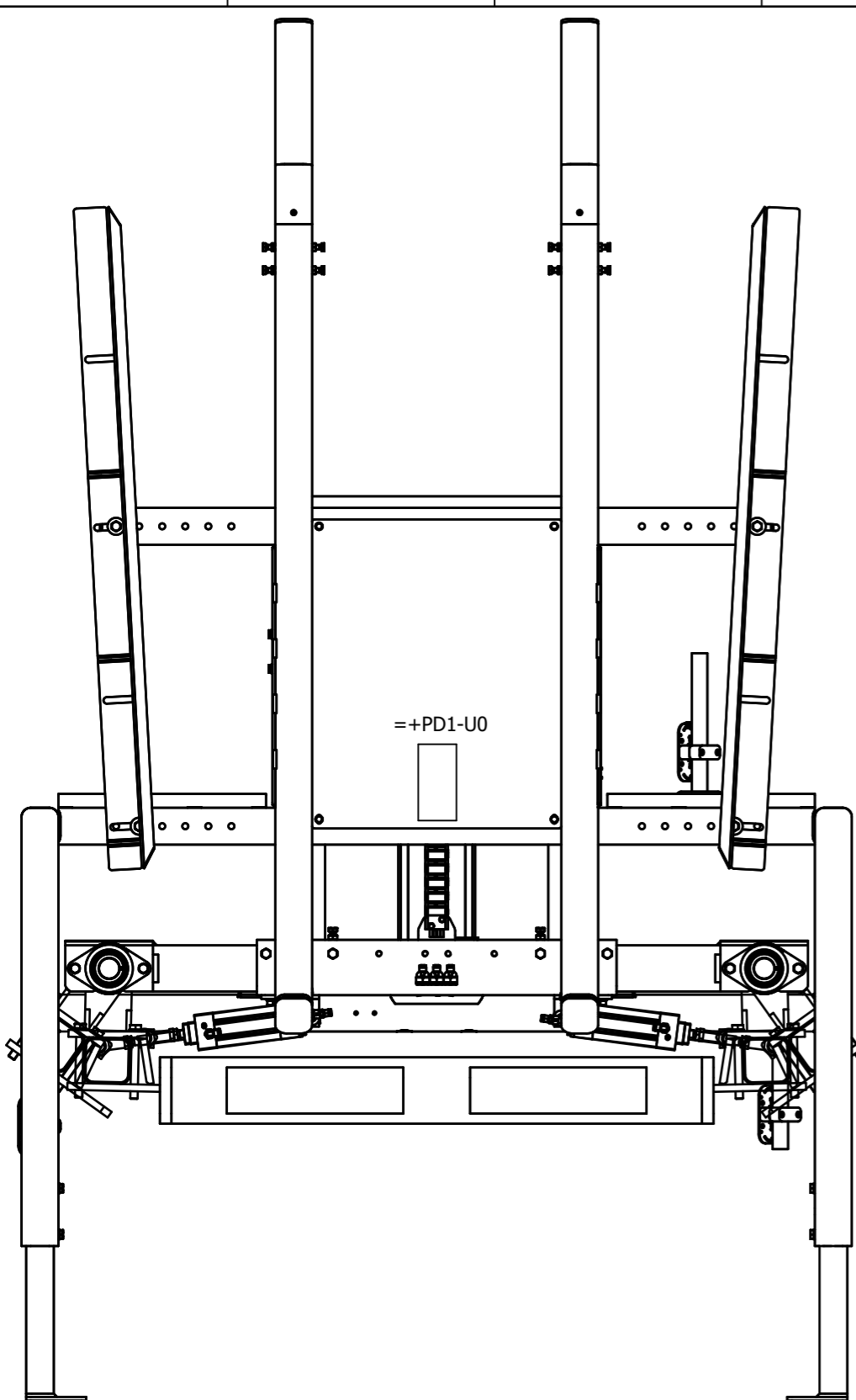
Type: Standard

Power supply: See specification sheet  
Control voltage: 24VDC  
According to: NEN-EN-IEC 60204-1: 2006

Version number: v1.0

# Table of contents

Mounting location		Page	Page description
		1	Title page
		2	Table of contents
+PD1	Pallet Dispenser	10	Layout
+PD1	Pallet Dispenser	20	Overview passive plug-in terminal
+PD1	Pallet Dispenser	500	Field components
+PD1	Pallet Dispenser	501	Field components
+PD1	Pallet Dispenser	2000	Parts list

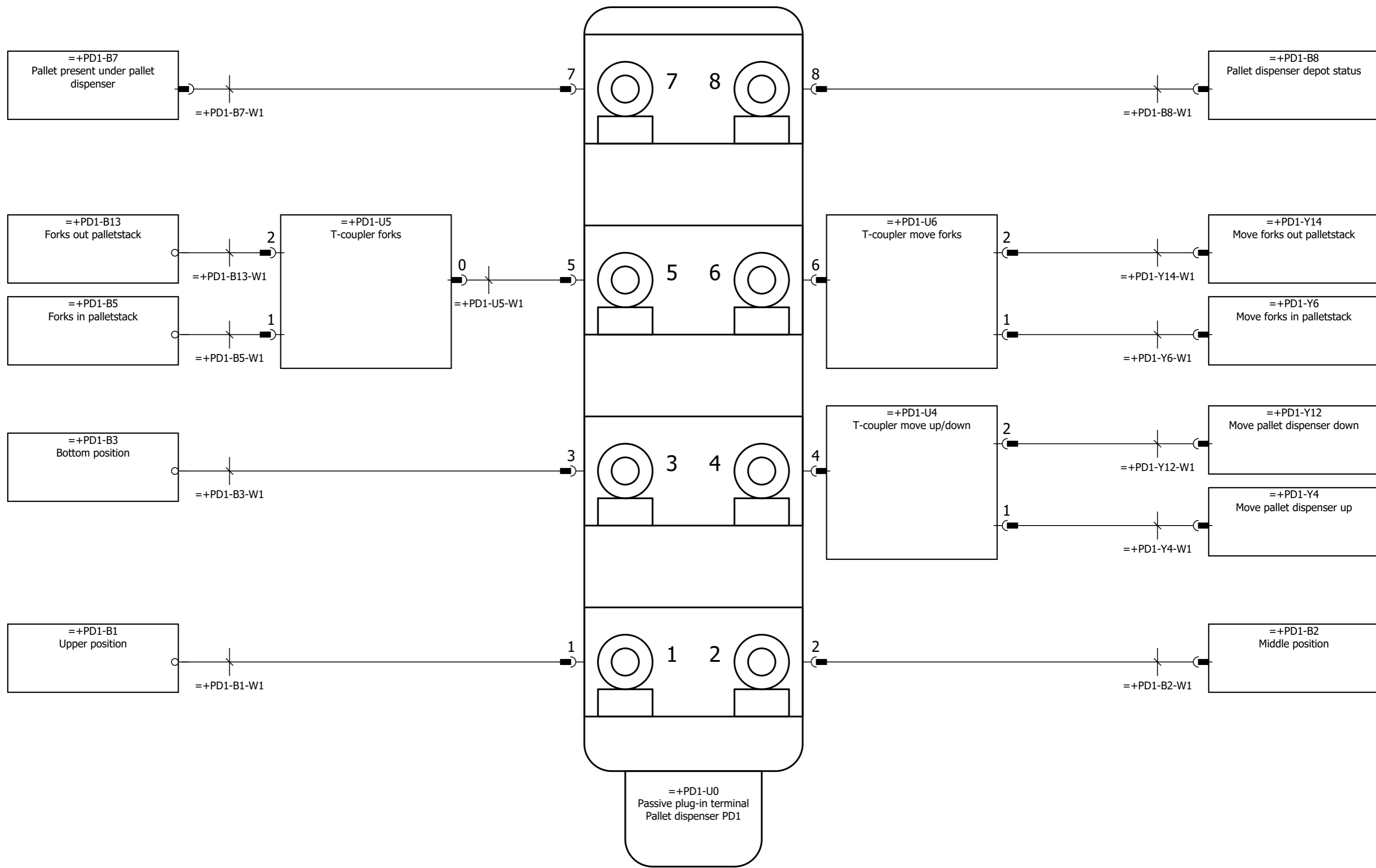


**Legend:**

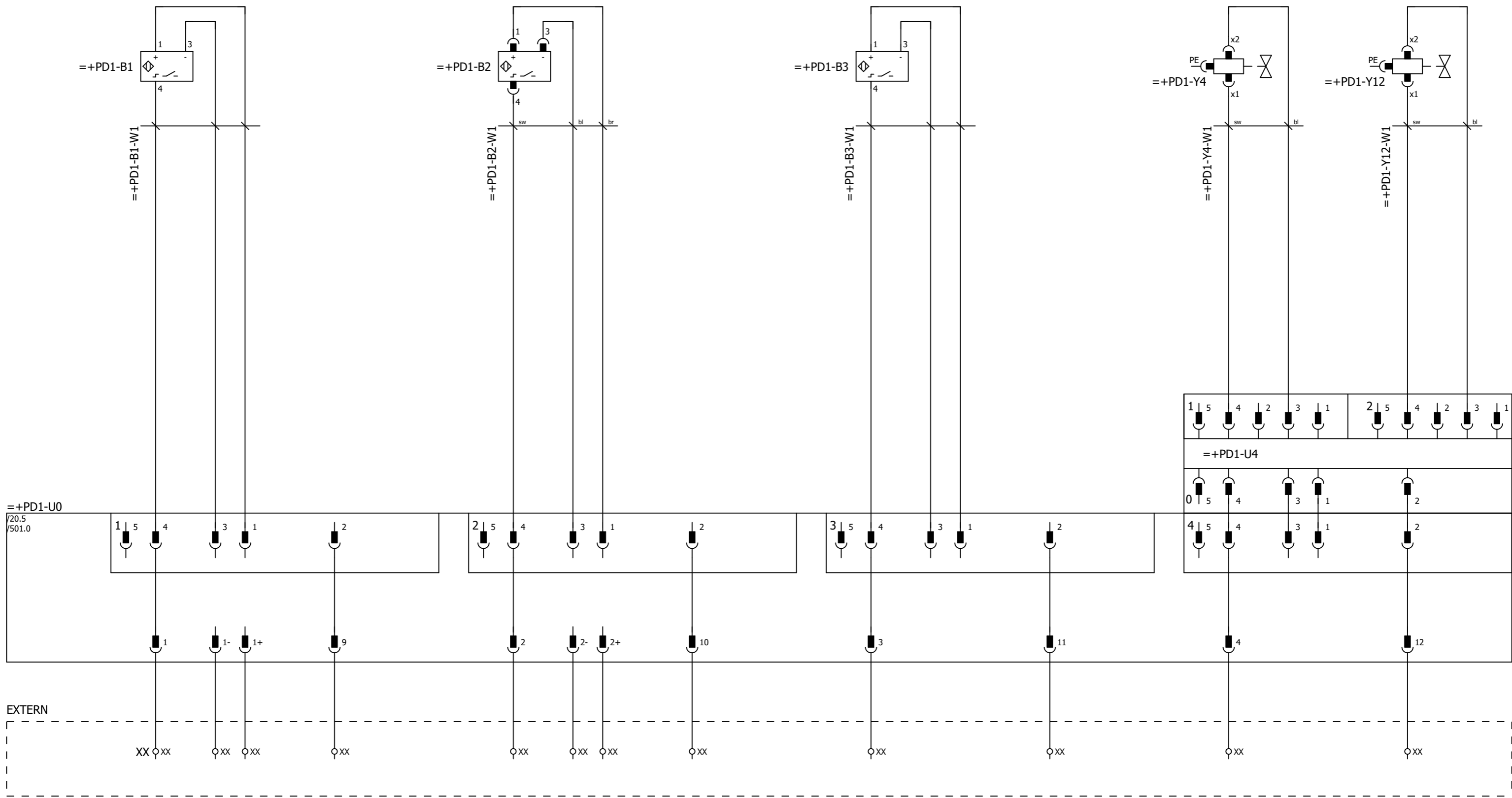
- |          |                                       |           |   |
|----------|---------------------------------------|-----------|---|
| +=PD1-B1 | Upper position                        | +=PD1-Y12 | Move pallet dispenser down                    |
| +=PD1-B2 | Middle position                       | +=PD1-B13 | Forks out palletstack                         |
| +=PD1-B3 | Bottom position                       | +=PD1-Y14 | Move forks out palletstack                    |
| +=PD1-Y4 | Move pallet dispenser up              | +=PD1-U4  | T-coupler move up/down                        |
| +=PD1-B5 | Forks in palletstack                  | +=PD1-U5  | T-coupler forks                               |
| +=PD1-Y6 | Move forks in palletstack             | +=PD1-U6  | T-coupler move forks                          |
| +=PD1-B7 | Pallet present under pallet dispenser | +=PD1-U0  | Passive plug-in terminal Pallet dispenser PD1 |
| +=PD1-B8 | Pallet dispenser depot status         |           |   |

For technical specifications of gearmotor, applied options, machine configuration and other data see specification sheet.

Image may differ from reality.



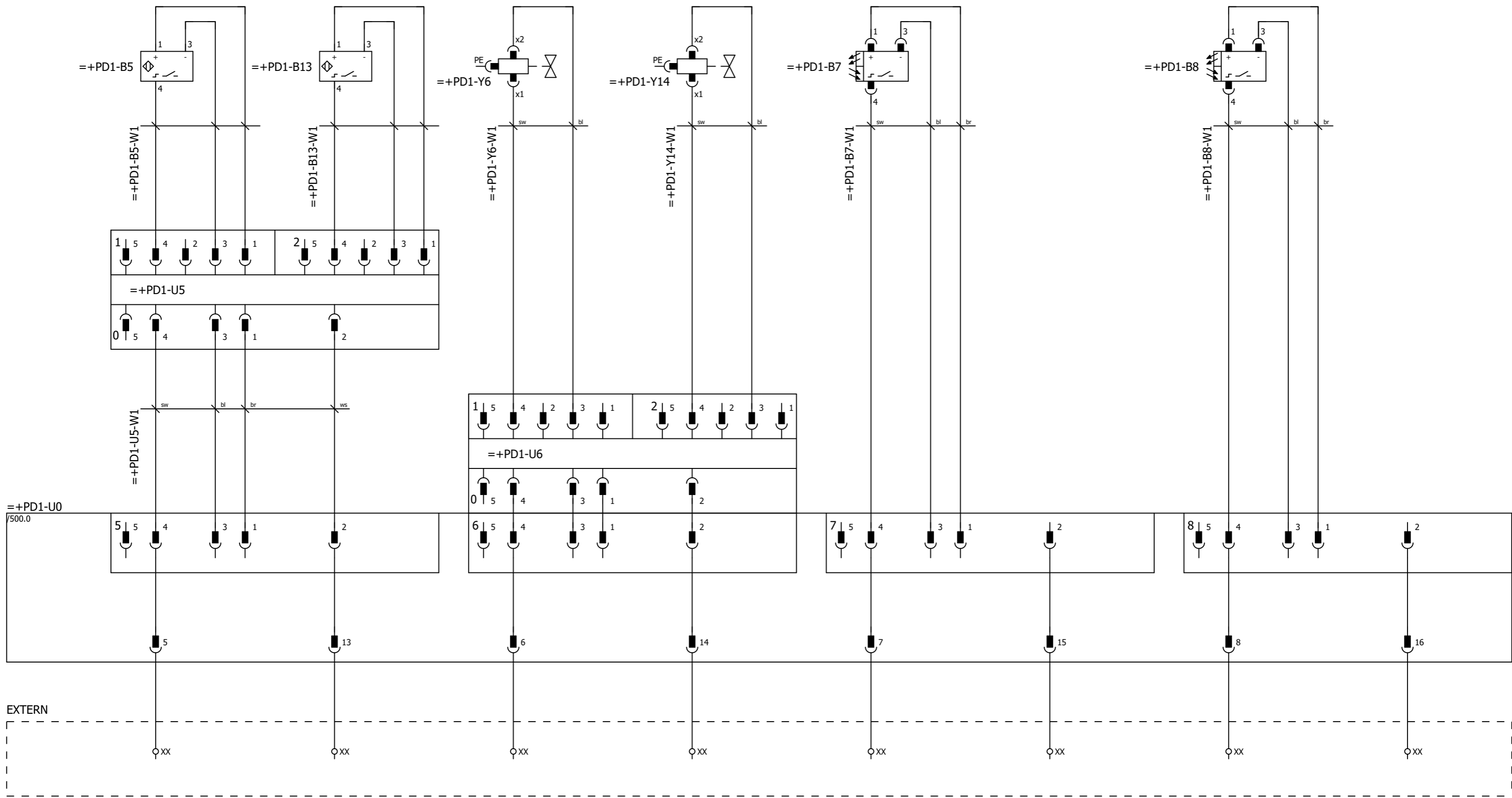
For technical specifications of applied options, machine configuration and other data see specification sheet.



Passive plug-in terminal Pallet dispenser PD1

Upper position Spare Middle position Spare Bottom position Spare

Move pallet dispenser up Move pallet dispenser down



Passive plug-in terminal Pallet dispenser PD1      Forks in palletstack      Forks out palletstack      Move forks in palletstack      Move forks out palletstack      Pallet present under pallet dispenser      Spare      Pallet dispenser depot status      Spare

# Parts list

Position	Quantity	Article number	Description	Manufacturer	Type number
-B1	1	1007668	Proximity Sensor	Festo	SMT-8M-A-PS-24V-E-2.5-N-M12
-B2	1	1003398	Inductive proximity sensor	Sick	IM12-04BPSZC1
-B2-W1	1	1001601	Prefab cable, PVC, 1 meter, connector M12 male 90°+ M12 female 90°, 4-pole	Murrelektronik	PVC-OB 4x0,34mm2
-B3	1	1007668	Proximity Sensor	Festo	SMT-8M-A-PS-24V-E-2.5-N-M12
-B5	1	1007668	Proximity Sensor	Festo	SMT-8M-A-PS-24V-E-2.5-N-M12
-B7	1	1005663	Reflex sensor	Sick	GL6-P4211
-B7	1	1003575	Reflector	Sick	PL20A
-B7-W1	1	1007649	Prefab cable, PVC, 2 meter, connector M12 male + female M8, 4-pole	Murrelektronik	PVC-OB 4x0,25mm2
-B8	1	1003365	Proximity sensor	Sick	GTB6-P4211
-B8-W1	1	1007649	Prefab cable, PVC, 2 meter, connector M12 male + female M8, 4-pole	Murrelektronik	PVC-OB 4x0,25mm2
-B13	1	1007668	Proximity Sensor	Festo	SMT-8M-A-PS-24V-E-2.5-N-M12
-U0	1	1003309	Passive plug-in terminal, 8-fold, 5-pole, M12	Murrelektronik	Exact12 8xM12 5-p
-U4	1	1003313	T-Coupler 5p Male M12 / 2x 4p Female M12	Murrelektronik	T-Coupler5p Male M12 / 2x 4p Female M12
-U5	1	1003313	T-Coupler 5p Male M12 / 2x 4p Female M12	Murrelektronik	T-Coupler5p Male M12 / 2x 4p Female M12
-U5-W1	1	1004226	Prefab cable, PUR, 1 meter, connector M12 male 90°+ M12 female 90°, 4-pole	Murrelektronik	PUR-OB 4x0,34mm2
-U6	1	1003313	T-Coupler 5p Male M12 / 2x 4p Female M12	Murrelektronik	T-Coupler5p Male M12 / 2x 4p Female M12
-Y4	1		See specification sheet		
-Y4-W1	1	1005959	Prefab cable, PVC, 0,3 meter, connector M12 male + female M8 straight 90°, 3-pole	Murrelektronik	PVC-OB 3x0,25mm2
-Y6	1		See specification sheet		
-Y6-W1	1	1005959	Prefab cable, PVC, 0,3 meter, connector M12 male + female M8 straight 90°, 3-pole	Murrelektronik	PVC-OB 3x0,25mm2
-Y12	1		See specification sheet		
-Y12-W1	1	1005959	Prefab cable, PVC, 0,3 meter, connector M12 male + female M8 straight 90°, 3-pole	Murrelektronik	PVC-OB 3x0,25mm2
-Y14	1		See specification sheet		
-Y14-W1	1	1005959	Prefab cable, PVC, 0,3 meter, connector M12 male + female M8 straight 90°, 3-pole	Murrelektronik	PVC-OB 3x0,25mm2